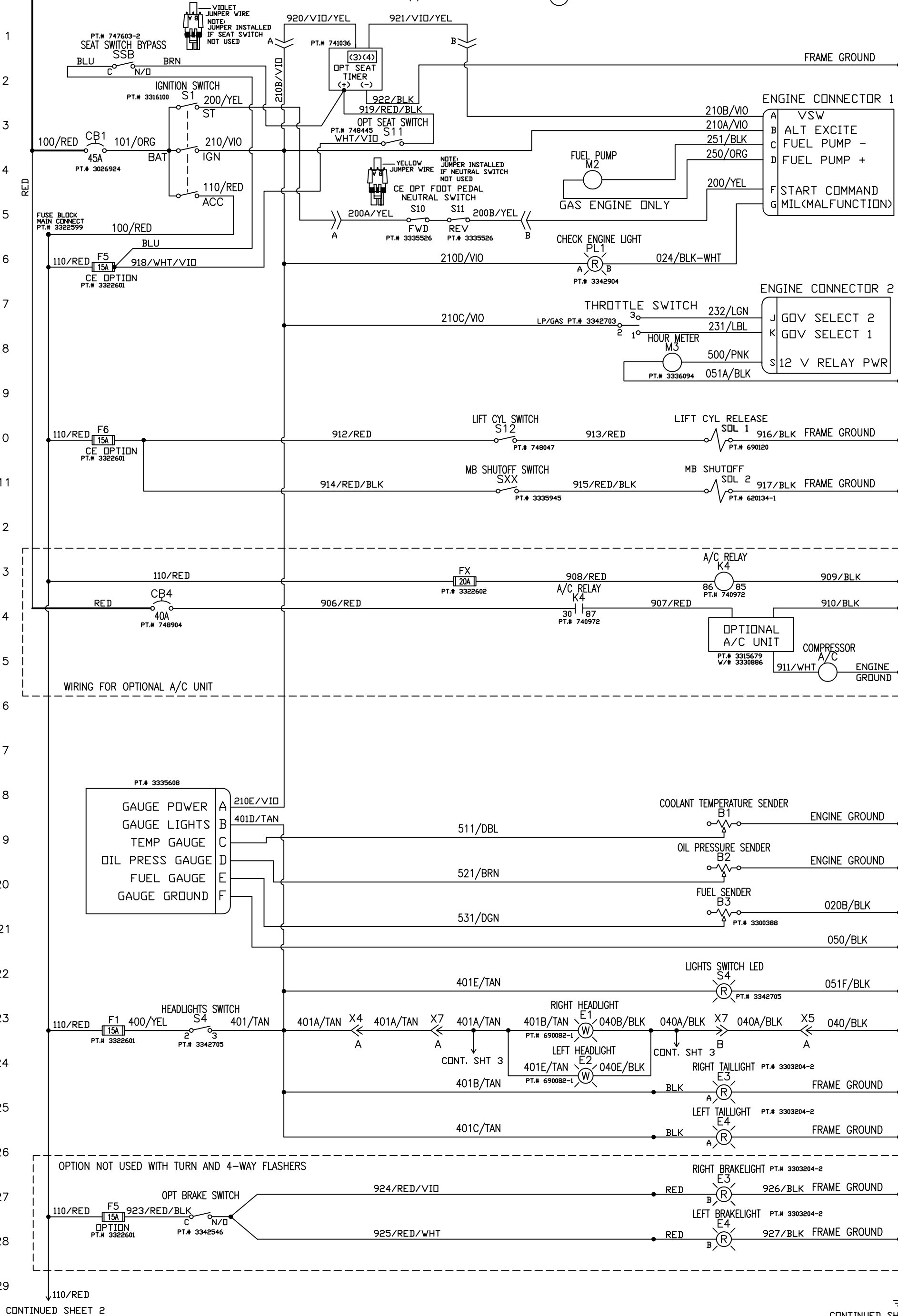
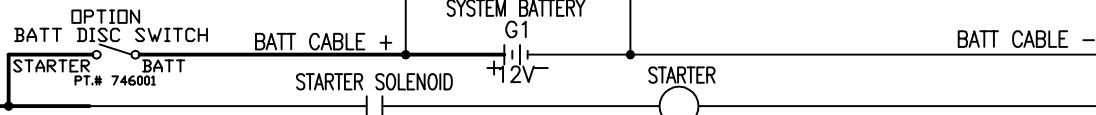


CONTINUED SHEET 2



CONTINUED SHEET 2

CONTINUED SHEET 2

| REV | ECN | DATE | DESCRIPTION | BY | PowerBoss® The Power of Clean | | CONFIDENTIAL THIS DRAWING AND ALL INFORMATION CONTAINED HEREIN ARE THE EXCLUSIVE PROPERTY OF MINUTEMAN INTERNATIONAL, INC. THIS DRAWING IS NOT TO BE COPIED OR OTHERWISE REPRODUCED WITHOUT EXPRESSED WRITTEN PERMISSION OF MINUTEMAN INTERNATIONAL, INC. IN ADDITION, THIS DRAWING MUST BE RETURNED UPON REQUEST. FURTHER, ALL INFORMATION CONTAINED HEREIN MUST BE MAINTAINED CONFIDENTIAL. | TITLE | PART NUMBER | REVISION | PAGE NUMBER |
|-----|-----------|----------|--|-----|--|--|--|---------------------------------------|-------------|----------|-------------|
| B | MIN-13323 | 08/22/16 | UPDATED SCHEMATIC- SEAT&NEUTRAL SWITCH | KHH | 14N845 U.S. ROUTE 20 PINGREE GROVE, ILLINOIS 60140 | | | SCHEMATIC-ELECTRICAL 9X GAS/LPG CE | 3397502 | E | 1 OF 4 |
| C | MIN-13574 | 10/02/17 | ADDED BLUE SAFETY LIGHTS | KHH | ELECTRICAL DESIGN ENGINEER JEFF POLLACK | | | | | | |
| D | 150297 | 06/11/18 | ADDED MERV, LED LIGHTS & SHT 4 | KHH | CAD BY JWP | | | | | | |
| E | 150470 | 11/13/18 | UPDATED MERV, PART #'S | KHH | DATE 5/3/10 | | | | | | |